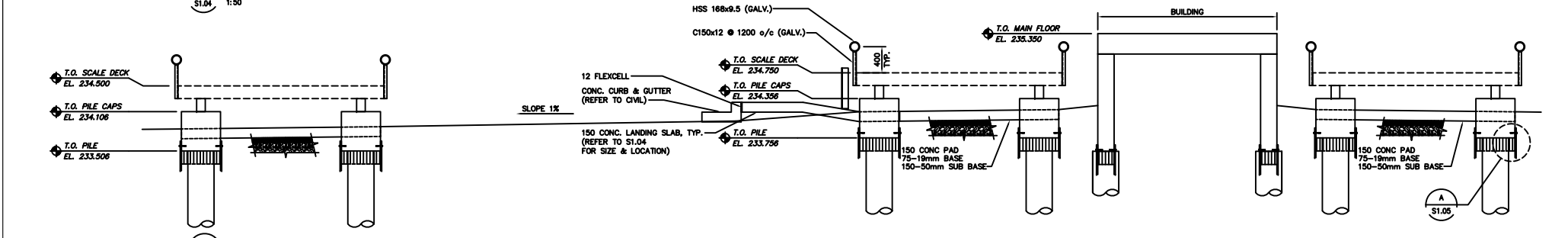
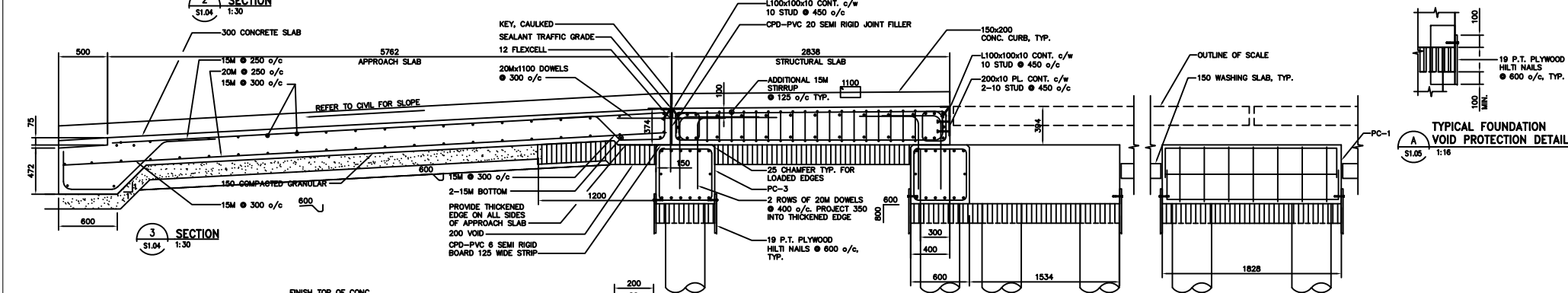


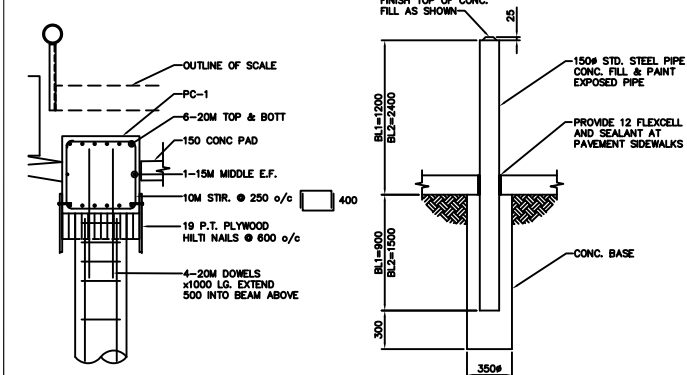
SECTION 1  
S1.04 1:50



SECTION 2  
S1.04 1:30

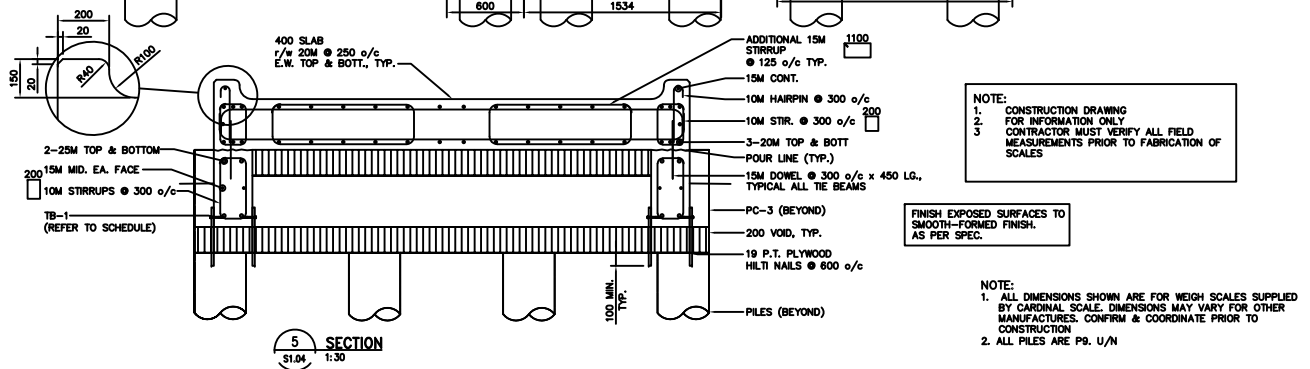


SECTION 3  
S1.04 1:30



SECTION 4  
S1.04 1:20

TYP. EXTERIOR BOLLARD  
SCALE 1:20



SECTION 5  
S1.04 1:30

NOTE:  
1. CONSTRUCTION DRAWING FOR INFORMATION ONLY  
2. CONTRACTOR MUST VERIFY ALL FIELD MEASUREMENTS PRIOR TO FABRICATION OF SCALES

FINISH EXPOSED SURFACES TO SMOOTH-FORMED FINISH AS PER SPEC.

NOTE:  
1. ALL DIMENSIONS SHOWN ARE FOR WEIGH SCALES SUPPLIED BY CARDINAL SCALE. DIMENSIONS MAY VARY FOR OTHER MANUFACTURERS. CONFIRM & COORDINATE PRIOR TO CONSTRUCTION  
2. ALL PILES ARE P9. U/N

 Certificate of Authorization Earth Tech Canada Inc. No. 730	B.M. ELEV.	 DESIGNED BY LLR/GGP DRAWN BY KK SCALE: AS NOTED NO. REVISIONS	 CHECKED BY GGP APPROVED BY TGS RELEASED FOR CONSTRUCTION BY: V. JEANCART DATE 2006/07/24 DATE 2007/07/20	ENGINEER'S SEAL ORIGINAL SIGNED BY M. KLASSEN 2007/07/20 CONSULTANT DRAWING NO. S1.05	 <b>THE CITY OF WINNIPEG</b> WATER AND WASTE DEPARTMENT SOLID WASTE SERVICES DIVISION BRADY RD. LANDFILL NEW ENTRANCE AND SCALE FACILITY STRUCTURAL TRUCK SCALE SECTIONS STANDARD DETAILS CITY FILE NUMBER SHEET OF CITY DRAWING NUMBER SWD-D-383
	ISSUED FOR CONSTRUCTION 07/06/20 L.A.E.	ISSUED FOR CONSTRUCTION 07/07/20 CMF	ISSUED FOR CONSTRUCTION 07/07/20 KK		
	01 367-2007 ADDENDUM 1				
	0 ISSUED FOR TENDER 07/07/20 KK				